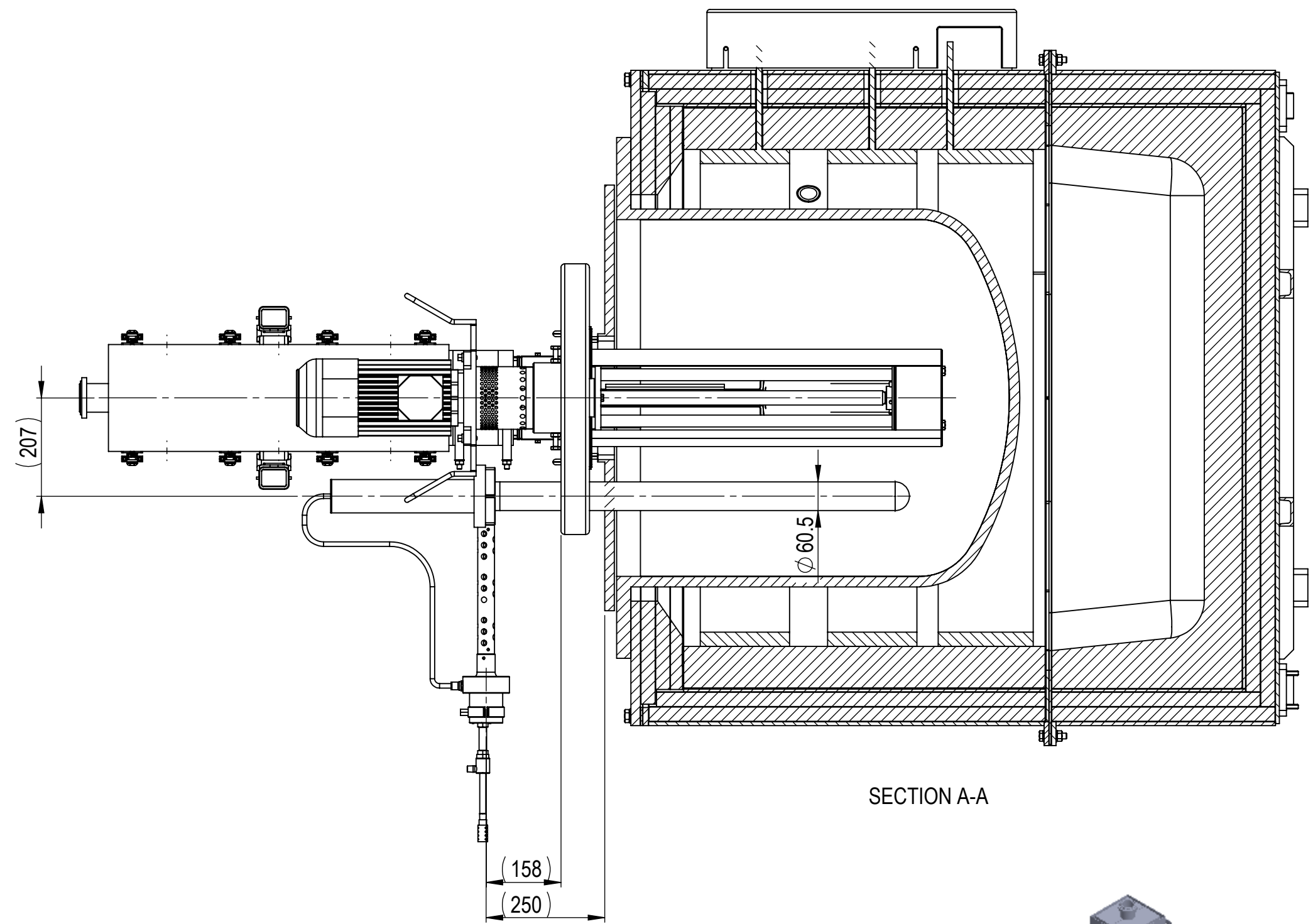
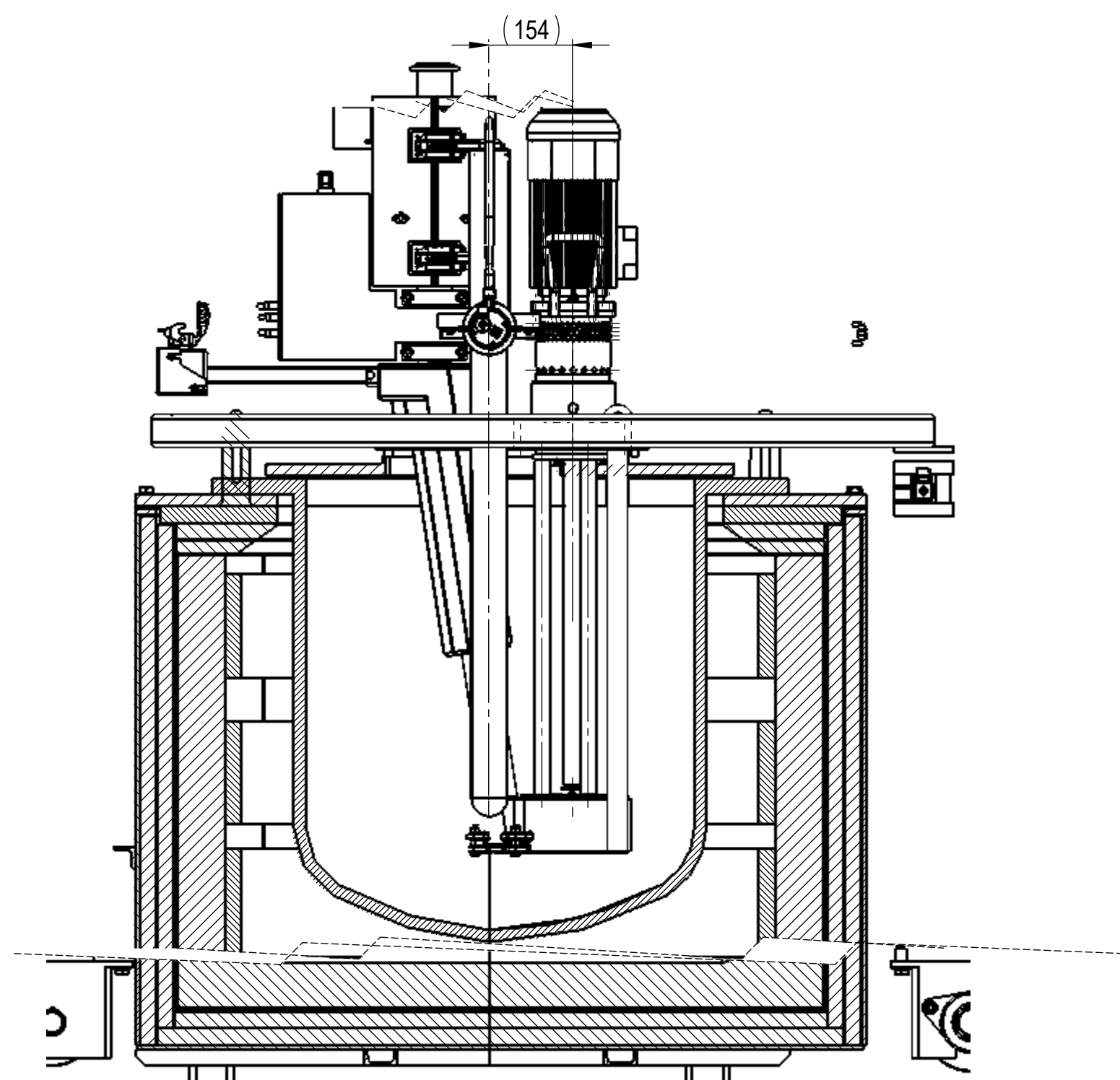


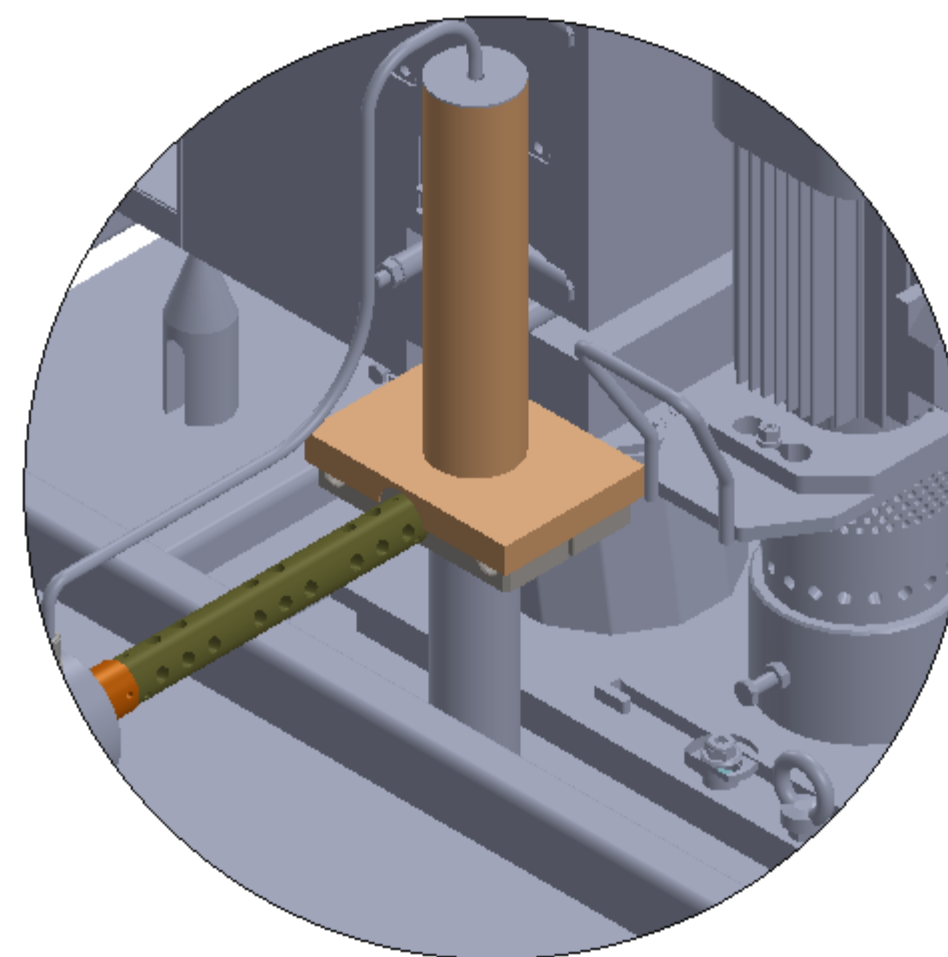
the width of this component should be enlarged in 140mm



SECTION A-A

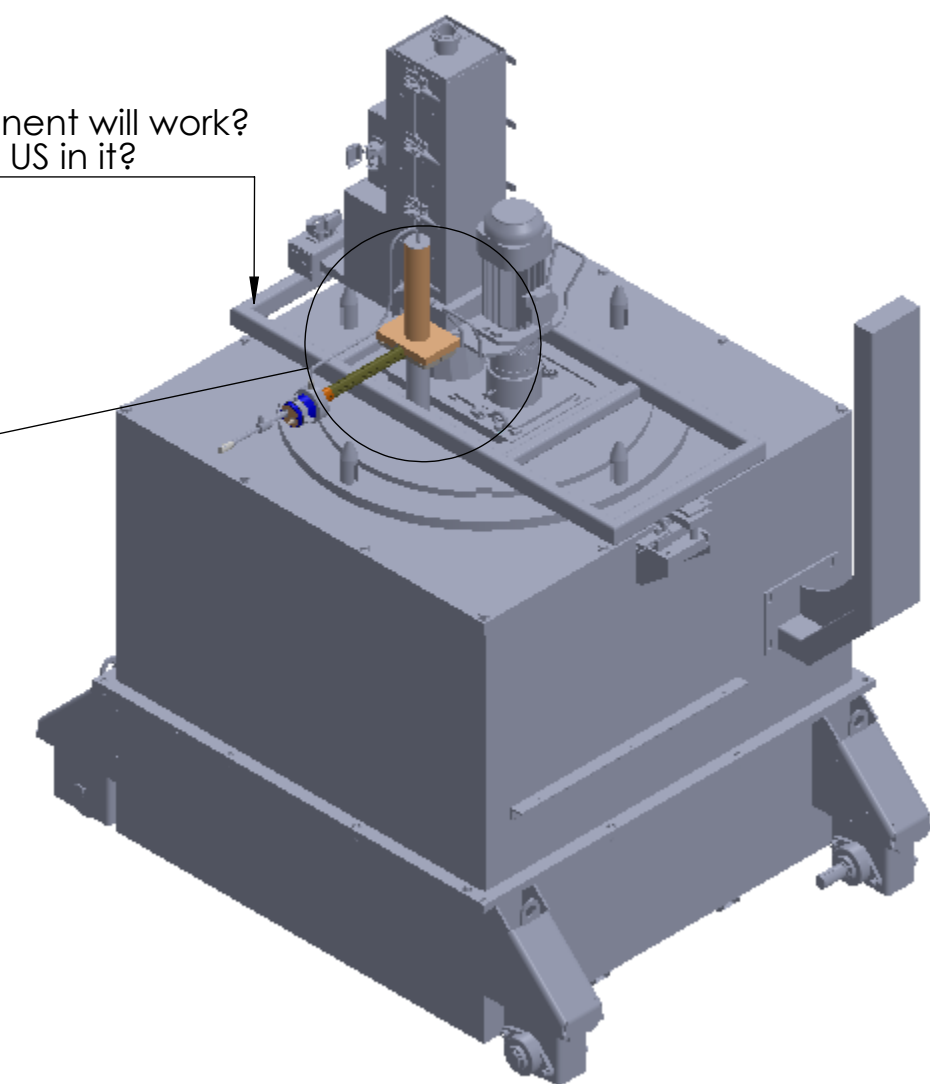


SECTION I-I



DETAIL L
SCALE 1 : 5

How this component will work?
Can we support US in it?



PROJECT DIRECTOR M.Prokic	DATE 20.08.2014	DEBUR AND BREAK SHARP EDGES	DO NOT SCALE DRAWING	REVISION			
drew H. Puga	DATE MODIFY						
MATERIAL:							
General tolerance SN 258440							
dimension nomiale (mm)	>3 ...6	>6 ...30	>30 ...120	>120 ...400	>400 ...1000	>1000 ...2000	
Ecart (mm)	0.05	0.1	0.15	0.2	0.3	0.5	
90090_magnesium							SCALE: 1:5
							SHEET 1 OF 1
							A2

MPI-ULTRASONICS
 MARAIS 36
 2400 Le Locle
 Switzerland
 e-mail : mpi@mpi-ultrasonics.com
 phone
 +41 (0) 32 9314045